

ORDERING WOODWARD SPARES PROCEDURE

Every Woodward governor has its referent manual where all parts are numbered in exploded view.

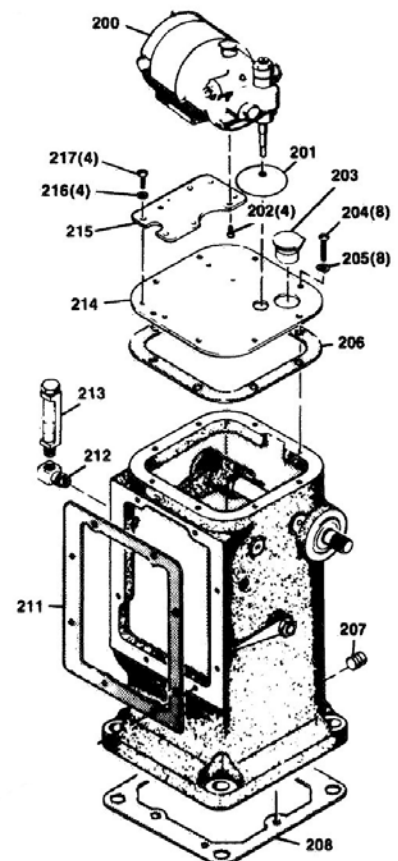
For ordering spares for Woodward governors the following information should be provided:

1. Governor's Part Number
2. Governor's reference manual number
3. Spare part position number
4. Spares quantity

Spares warranty: 12 months from delivery

Ordering example:

1. Governor's Part Number: 8525-699
2. Governor's reference manual number: 03040
3. Spare part position number: 200 – Synchronizing motor
4. Spares quantity: Pcs 1



PBM LTD

HR - SVILNO BB, 51219 ČAVLE (RIJEKA), CROATIA

TEL +385 51 252529/252506; FAX +385 51 252520, MOBILE: +385 91 2021899

E-MAIL: pbm@pbm.hr; WEB: www.pbm.hr

WOODWARD DISTRIBUTOR AND AUTHORIZED INDEPENDENT SERVICE FACILITY